



# BLX

## Wireless System

Online user guide for Shure BLX wireless system.  
Version: 4.1 (2021-F)

# Table of Contents

<b>BLX Wireless System</b>	<b>3</b>	<b>Tips to Improve Wireless System Performance</b>	<b>12</b>
<b>IMPORTANT SAFETY INSTRUCTIONS</b>	<b>3</b>	<b>Getting Good Sound</b>	<b>12</b>
<b>System Components</b>	<b>4</b>	Correct Microphone Placement	13
<b>Quick Start Guide</b>	<b>4</b>	Wearing the Headworn Microphone	13
<b>Features</b>	<b>6</b>	<b>Adjusting Gain</b>	<b>13</b>
Front Panel	6	BLX1	14
Back Panel	7	BLX2	14
BLX1	7	<b>Batteries</b>	<b>14</b>
BLX2	8	<b>Wearing the Bodypack Transmitter</b>	<b>15</b>
<b>Single System Set Up</b>	<b>9</b>	<b>Power Off</b>	<b>15</b>
<b>Setting Transmitter Group and Channel</b>	<b>10</b>	<b>Removing and Installing Identification Caps</b>	<b>16</b>
Group (letter)	10	<b>Troubleshooting</b>	<b>16</b>
Channel (number)	10	<b>Specifications</b>	<b>17</b>
<b>Multiple System Setup</b>	<b>11</b>	<b>Certifications</b>	<b>20</b>
<b>Manually Setting Receiver Group and Channel</b>	<b>11</b>	<b>Important Product Information</b>	<b>21</b>
Group (letter)	11	LICENSING INFORMATION	21
Channel (number)	11	Information to the user	21
<b>Locking and Unlocking Controls</b>	<b>11</b>	Australia Warning for Wireless	22
Transmitter (lock/unlock)	12	<b>Frequency Range and Transmitter Output Level</b>	<b>22</b>
Receiver (lock/unlock)	12		

# BLX Wireless System

## IMPORTANT SAFETY INSTRUCTIONS

1. READ these instructions.
2. KEEP these instructions.
3. HEED all warnings.
4. FOLLOW all instructions.
5. DO NOT use this apparatus near water.
6. CLEAN ONLY with dry cloth.
7. DO NOT block any ventilation openings. Allow sufficient distances for adequate ventilation and install in accordance with the manufacturer's instructions.
8. DO NOT install near any heat sources such as open flames, radiators, heat registers, stoves, or other apparatus (including amplifiers) that produce heat. Do not place any open flame sources on the product.
9. DO NOT defeat the safety purpose of the polarized or grounding type plug. A polarized plug has two blades with one wider than the other. A grounding type plug has two blades and a third grounding prong. The wider blade or the third prong are provided for your safety. If the provided plug does not fit into your outlet, consult an electrician for replacement of the obsolete outlet.
10. PROTECT the power cord from being walked on or pinched, particularly at plugs, convenience receptacles, and the point where they exit from the apparatus.
11. ONLY USE attachments/accessories specified by the manufacturer.
12. USE only with a cart, stand, tripod, bracket, or table specified by the manufacturer, or sold with the apparatus. When a cart is used, use caution when moving the cart/apparatus combination to avoid injury from tip-over.



13. UNPLUG this apparatus during lightning storms or when unused for long periods of time.
14. REFER all servicing to qualified service personnel. Servicing is required when the apparatus has been damaged in any way, such as power supply cord or plug is damaged, liquid has been spilled or objects have fallen into the apparatus, the apparatus has been exposed to rain or moisture, does not operate normally, or has been dropped.
15. DO NOT expose the apparatus to dripping and splashing. DO NOT put objects filled with liquids, such as vases, on the apparatus.
16. The MAINS plug or an appliance coupler shall remain readily operable.
17. The airborne noise of the Apparatus does not exceed 70dB (A).
18. Apparatus with CLASS I construction shall be connected to a MAINS socket outlet with a protective earthing connection.
19. To reduce the risk of fire or electric shock, do not expose this apparatus to rain or moisture.
20. Do not attempt to modify this product. Doing so could result in personal injury and/or product failure.
21. Operate this product within its specified operating temperature range.



This symbol indicates that dangerous voltage constituting a risk of electric shock is present within this unit.



This symbol indicates that there are important operating and maintenance instructions in the literature accompanying this unit.

**WARNING:** Danger of explosion if incorrect battery replaced. Operate only with AA batteries.

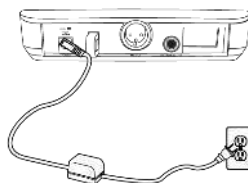
## System Components

**Note:** Your system comes with a combination of the following components.

- BLX1 Bodypack Transmitter
- BLX2 Handheld Transmitter (choice of SM58, BETA58A, or PG58)
- BLX4 Wireless Receiver
- BLX88 Dual Wireless Receiver
- PS24 Power Supply
- Lavalier microphone (choice of PG185, WL185 or WL93)
- Headworn microphone (choice of PG30, SM31FH or SM35)
- MX153 Earset microphone
- Instrument microphone (BETA98H/C)
- Guitar cable (WA302)

## Quick Start Guide

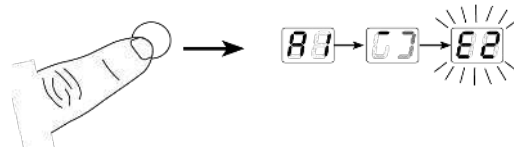
1. 1. Connect receiver to power source.



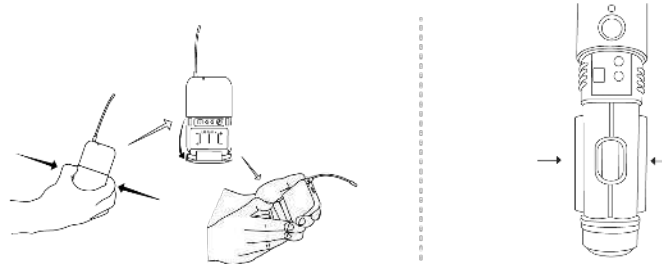
2. 2. Connect receiver to mixer or amplifier. Hold power button to turn on.



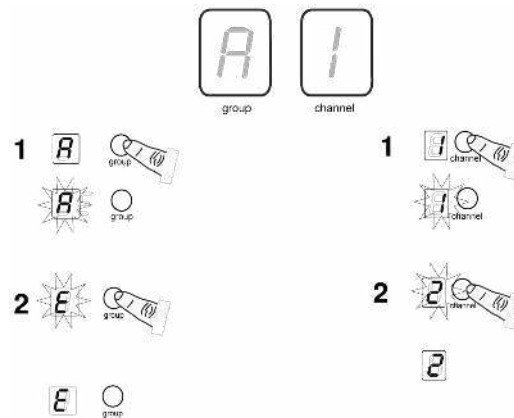
2. 2. Press group button on receiver to perform a group scan.



3. 1. Install batteries and turn on transmitter.

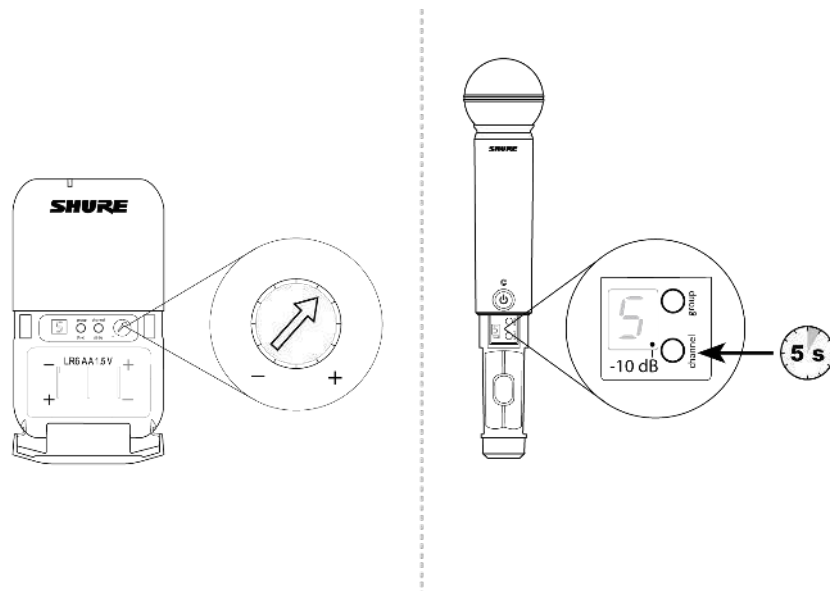


2. On the transmitter, set the group and channel to match the receiver. The audio LED on the receiver should illuminate.



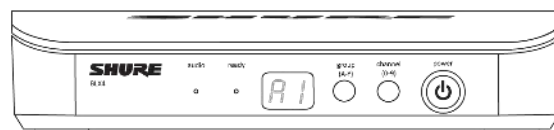
If setting up additional systems, leave the first transmitter and receiver on. For each additional receiver, manually set the group to match the first receiver. Note: The receiver will automatically perform a channel scan to find an available frequency after the group has been selected. Set the transmitter frequency to match the receiver.

4. If sound is too faint or distorted, adjust the gain accordingly.



## Features

### Front Panel



BLX4



BLX88

#### ① audio LED

Indicates strength of incoming audio signal: green for normal and red for overload.

#### ② ready LED

Green light indicates system is ready for use and receiving transmitter signal.

#### ③ LED Display

Displays group and channel setting.

#### ④ group and channel Buttons

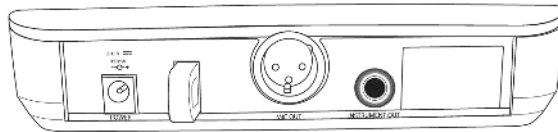
**Scan:** Push and release group button to scan for an open group and channel.

**Manual:** Push and hold group button to select a group. Push channel button to select a channel in the current group.

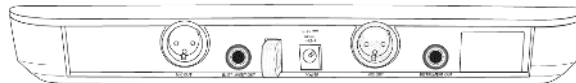
#### ⑤ power Button

Push and hold to turn power on or off.

## Back Panel



BLX4



BLX88

#### ① DC Power Jack

#### ② Adapter Cord Tie-Off

#### ③ XLR microphone output jack (MIC out)

#### ④ 6.35 mm (1/4") instrument level output jack (instrument out)

## BLX1

#### ① LED Indicator

Displays power and battery status (see Transmitter LED Indicators).

#### ② power Switch

Toggles power on or off.

#### ③ 4-Pin Microphone Input Jack (TA4 connector)

#### ④ Antenna

**⑤ group Button**

Changes group setting.

**⑥ LED Display**

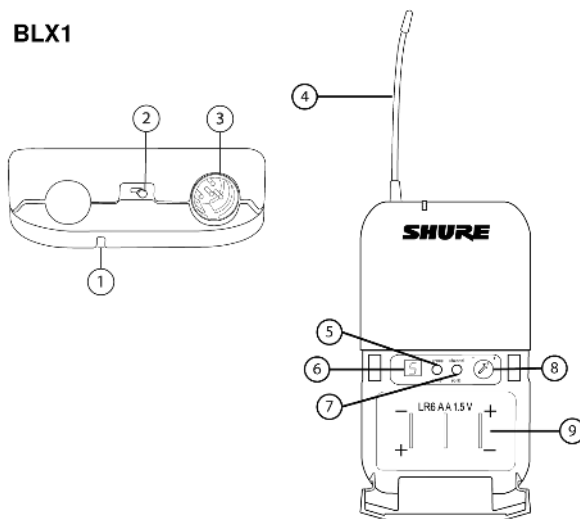
Displays group and channel setting.

**⑦ channel Button**

Changes channel setting.

**⑧ Battery Compartment****⑨ Audio Gain Adjustment**

Rotate to increase or decrease transmitter gain.

**BLX2****① LED Indicator**

Displays power and battery status (see Transmitter LED Indicators).

**② power Button**

Push to turn power on or off.

**③ group Button**

Changes group setting.

**④ channel Button**

Changes channel and gain setting.

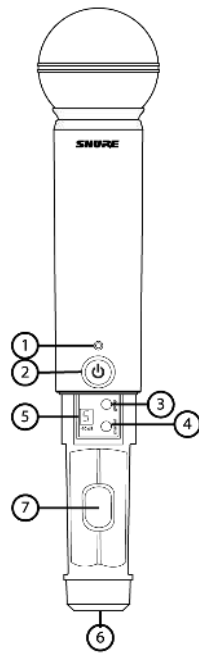
**⑤ LED Display**

Displays group and channel setting.



## ⑥ Identification Cap

## ⑦ Battery Compartment

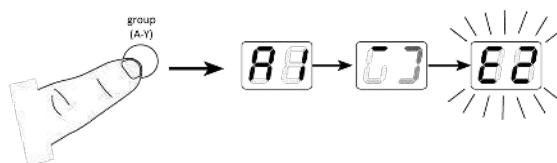


## Transmitter LED Indicators

LED Indicator	Status
Green	Ready
Rapidly Flashing Red	Controls locked
Solid Red	Battery power low (less than 1 hour remaining*)
Flashing Red and shuts off	Batteries dead (change batteries to power on transmitter)

\*For alkaline batteries only. For rechargeable batteries, solid red means the batteries are dead.

## Single System Set Up



Before you begin, turn off all transmitters and turn on any equipment (other microphones or personal monitoring systems) that could cause interference during the performance.

1. Press and release the group button on the receiver.

The receiver scans for the clearest group and channel.

**Note:** If you want to stop the scan, push the group button again.

2. Turn on transmitter and change the group and channel to match the receiver (See Setting Transmitter Group and Channel).

Once the system is set up, perform an audio check and adjust the gain if necessary.

## Setting Transmitter Group and Channel

Transmitter group and channel must be manually set to match the receiver.

### Group (letter)

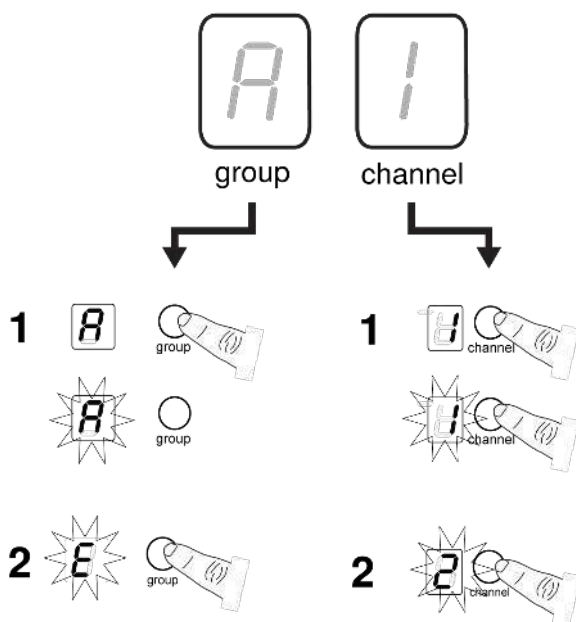
1. Press and release the group button on the transmitter to activate the display. Press the group button again and the display flashes.
2. While the display is flashing, press the group button again to advance to the desired group setting.

### Channel (number)

If channel needs to be changed, follow the same procedure using the channel button instead of the group button.

**Note:**

- When the group and channel correctly match the receiver, the ready LED on receiver illuminates.
- After manual setup, the transmitter alternately displays the group and channel setting for about two seconds.



---

# Multiple System Setup

Up to 12 systems can operate simultaneously (band and RF environment dependent).

**Important:** Set up each system one-at-a-time. Once a receiver and transmitter are tuned to the same group and channel, leave the transmitter powered on. Otherwise, scans from the other receivers will not detect that channel as occupied. For the BLX88, be sure to setup both transmitters before progressing to the next receiver.

Turn **on** any other equipment that could cause interference during the performance so it will be detected during the group and channel scans in the following steps.

Before you begin system set up, turn all receivers **ON** and all transmitters **OFF**.

## For the first receiver:

1. Perform a group scan.

This finds the group with the most clear channels.

*Note: For the BLX88, the group scan sets up both receivers at the same time.*

2. Turn on the first transmitter and change the group and channel to match receiver.
3. Leave the transmitter on and continue with the additional systems.

**Note:** If the selected group does not contain enough open channels, manually select group "d" when setting up larger systems.

## For each additional receiver:

1. Use manual setup to change the receiver to match the group setting of the first receiver. Recall that each time the group setting is changed, a channel scan is automatically done.
2. Turn on the transmitter and change the group and channel to match the receiver.
3. Leave the transmitter on and continue to the next system.
4. Once all receivers are set up, perform an audio check on all microphones.

---

# Manually Setting Receiver Group and Channel

The receiver group may need to be changed as part of a multiple system setup.

## Group (letter)

1. Hold the group button on the receiver until the display begins to flash.
2. While the display is flashing, press the group button again to advance to the next group.

*Note: Only the group setting will be displayed during the manual setup.*

3. Once the desired group is reached, release the group button. The receiver automatically performs a channel scan.

## Channel (number)

Always use a channel selected by the channel scan. However, if necessary, the channel can be set manually. Follow the same steps above using the channel button instead of the group button.

---

---

# Locking and Unlocking Controls

Lock system controls to prevent accidental setting changes or power off.

## Transmitter (lock/unlock)

Turn the transmitter on. Hold the group button, then press the channel button for approximately 2 seconds. The LED indicator rapidly flashes red when locked.

## Receiver (lock/unlock)

Turn the receiver on. Simultaneously hold the group and channel button. The display flashes rapidly.

- When locked, the display flashes rapidly if any key is pressed.
- The BLX88 locks on both sides when locked from either side.

---

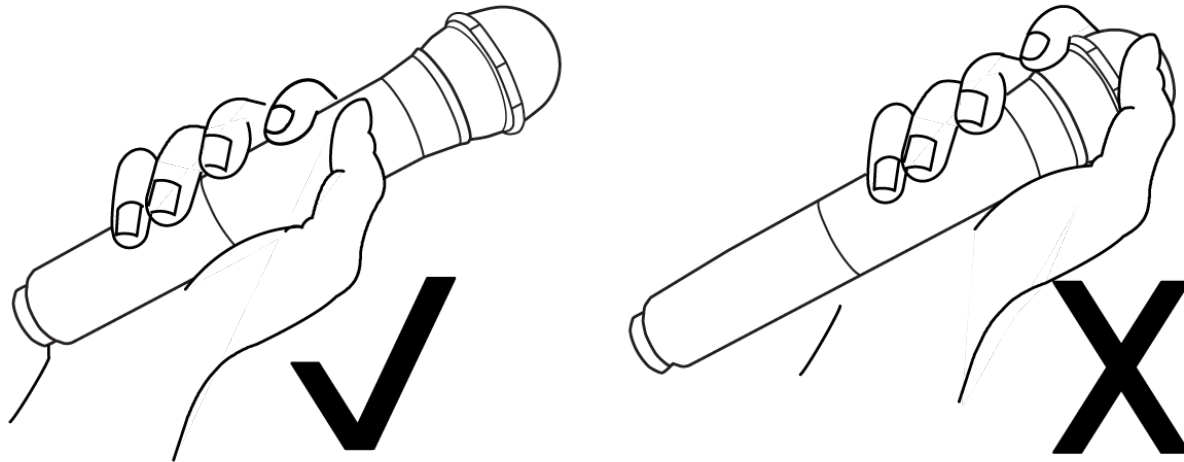
# Tips to Improve Wireless System Performance

If you encounter interference or dropouts, try the following suggestions:

- Choose a different receiver channel
  - Reposition the receiver so there is nothing obstructing a line of sight to the transmitter (including the audience)
  - Avoid placing transmitter and receiver where metal or other dense materials may be present
  - Move the receiver to the top of the equipment rack
  - Remove nearby sources of wireless interference, such as cell phones, two-way radios, computers, media players, Wi-Fi devices, and digital signal processors
  - Charge or replace the transmitter battery
  - Keep transmitters more than two meters (6 feet) apart
  - Keep the transmitter and receiver more than 5 meters (16 feet) apart
  - During sound check, mark trouble spots and ask presenters or performers to avoid those areas
-

# Getting Good Sound

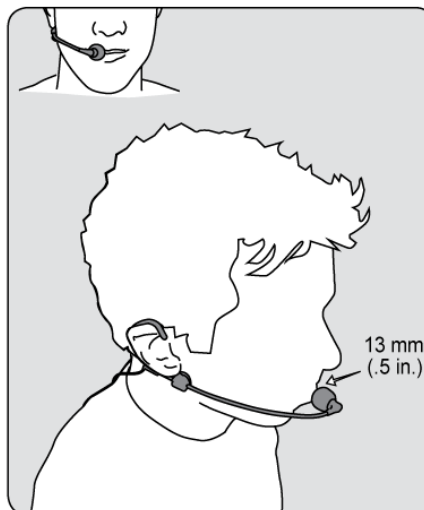
## Correct Microphone Placement



- Hold the microphone within 12 inches from the sound source. For a warmer sound with increased bass presence, move the microphone closer.
- Do not cover grille with hand.

## Wearing the Headworn Microphone

- Position the headworn microphone 13 mm (1/2 in.) from the corner of your mouth.
- Position lavalier and headworn microphones so that clothing, jewelry, or other items do not bump or rub against the microphone.



# Adjusting Gain

Monitor the audio LED indicator on the receiver front panel when setting the transmitter gain.

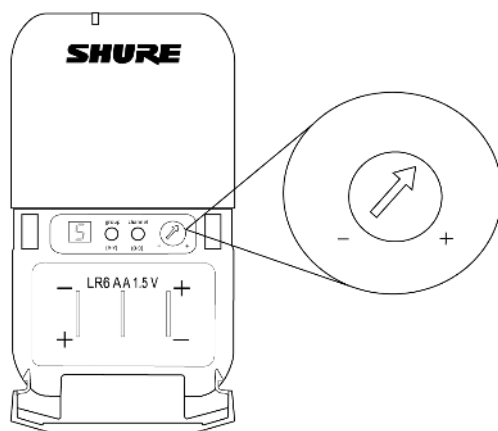
- **Green:** normal levels
- **Red:** excessive sound levels (overload).

The red LED should only illuminate infrequently when you speak loudly or play your instrument loudly.

## BLX1

Rotate the audio gain adjustment to increase (+) or decrease (-) the gain until desired level is reached.

For instruments, turn gain to minimum setting. For lavaliers, increase the gain as desired.



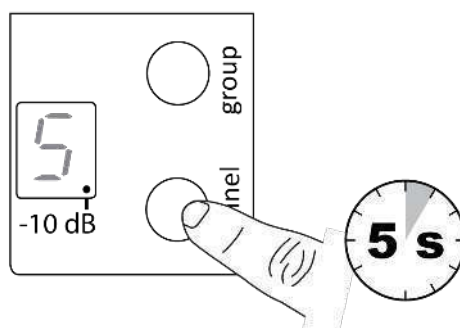
## BLX2

The BLX2 features two gain level settings, default and attenuated (-10 dB). The default setting is used for most situations. If the receiver audio LED flickers red often, set the microphone to attenuated. Use the channel button to change the gain setting.

1. Hold down the channel button for 5 seconds.

A dot appears on the lower right-hand corner of the LED display, which indicates -10 dB gain setting has been activated.

2. To change the gain back to default, hold the channel button again for 5 seconds, or until the dot disappears.



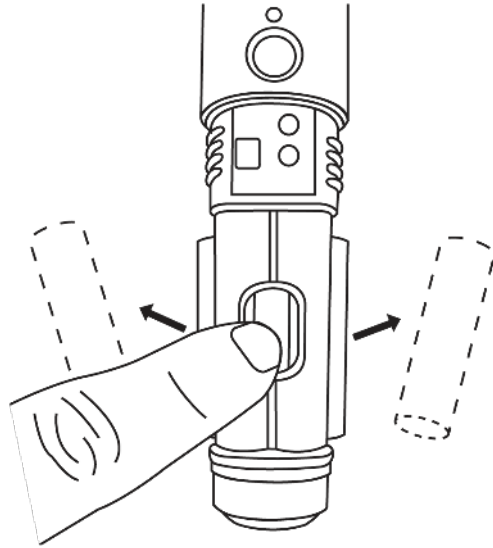
# Batteries

Expected life for AA batteries is up to 14 hours (total battery life varies depending upon battery type and manufacturer).

When the LED indicator turns red, it signifies "low battery" with approximately 60 minutes of remaining battery life.

For alkaline batteries only. For rechargeable batteries, solid red means the batteries are dead.

To remove batteries from the handheld transmitter, push them out through the opening in the microphone battery compartment.



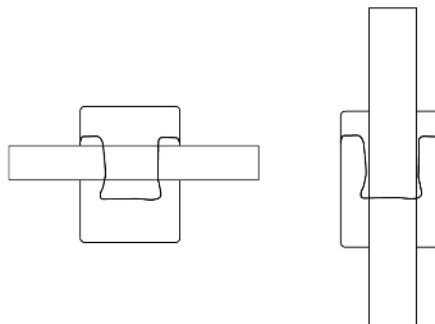
**WARNING:** Battery packs shall not be exposed to excessive heat such as sunshine, fire, or the like.

---

## Wearing the Bodypack Transmitter

Clip the transmitter to a belt or slide a guitar strap through the transmitter clip as shown.

For best results, the belt should be pressed against the base of the clip.



## Power Off

Hold down the power button to power off the BLX2 or BLX4/88. To power off the BLX1, slide the power toggle switch to OFF.

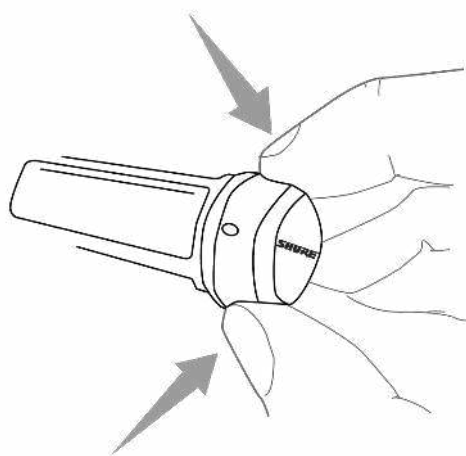
## Removing and Installing Identification Caps

The BLX2 is equipped with a black identification cap from the factory (dual vocal systems ship with additional gray cap).

**To remove:** Remove battery cover. Squeeze sides and pull off cap.

**To install:** Align the cap and click into place. Replace battery cover.

An Identification Cap Kit containing assorted colored caps is available as an optional accessory.



## Troubleshooting

Issue	Indicator Status	Solution
No sound or faint sound	Receiver ready LED on	Verify all sound system connections or adjust gain as needed (see Adjusting Gain) Verify that the receiver is connected to mixer/amplifier
	Receiver ready LED off	Turn on transmitter Make sure the batteries are installed correctly Perform transmitter setup (see Single System Setup) Insert fresh batteries
	Receiver LED screen off	Make sure DC adapter is securely plugged into electrical outlet. Make sure receiver is powered on.



Issue	Indicator Status	Solution
	<b>Transmitter indicator LED flashing red</b>	Replace transmitter batteries (see Changing Batteries).
<b>Audio artifacts or dropouts</b>	Ready LED flickering or off	<p>Change receiver and transmitter to a different group and/or channel.</p> <p>Identify nearby sources of RF interference, and shut-down or remove source.</p> <p>Replace transmitter batteries.</p> <p>Ensure that receiver and transmitter are positioned within system parameters</p> <p>System must be set up within recommended range and receiver kept away from metallic surfaces.</p> <p>Transmitter must be used in line of sight from receiver for optimal sound</p>
<b>Distortion</b>	Audio LED on receiver indicates overload (red)	Reduce transmitter gain (see Adjusting Gain).
<b>Sound level variations when switching to different sources</b>	N/A	Adjust transmitter gain as necessary (see Adjusting Gain).
<b>Receiver/transmitter won't turn off</b>	LED/display flashing rapidly	See Locking and Unlocking Controls.

## Specifications

### System

#### Working Range

91 m (300 ft) Line of Sight

#### Audio Frequency Response

50 to 15,000 Hz

#### Total Harmonic Distortion

*Ref.  $\pm 33$  kHz deviation with 1 kHz tone*

0.5%, typical

#### Dynamic Range

100 dB, A-weighted, typical

#### Operating Temperature

-18°C (0°F) to 57°C (135°F)

## Polarity

Positive pressure on microphone diaphragm (or positive voltage applied to tip of WA302 phone plug) produces positive voltage on pin 2 (with respect to pin 3 of low-impedance output) and the tip of the high impedance 1/4-inch output.

## BLX1

### Audio Input Level

<b>max</b>	-16 dBVmaximum
<b>min (0 dB)</b>	+10 dBVmaximum

### Gain Adjustment Range

26 dB

### Input Impedance

1 M $\Omega$

### RF Transmitter Output

10 mW, typical

### Dimensions

4.33 in. X 2.52 in. X 0.83 in. (110 mm X 64 mm X 21 mm) H x W x D

### Weight

2.6 oz. (75 g), without batteries

### Housing

Molded ABS

### Power Requirements

2 LR6 AA batteries, 1.5 V, alkaline

### Battery Life

up to 14 hours (alkaline)

## BLX2

### Audio Input Level

<b>0dB</b>	-20 dBVmaximum
<b>-10dB</b>	-10 dBVmaximum

### Gain Adjustment Range

10 dB

### RF Transmitter Output

10 mW, typical

## Dimensions

8.82 in. X 2.09 in. (224 mm X 53 mm) L x Dia.

## Weight

7.7 oz. (218 g) without batteries

## Housing

Molded ABS

## Power Requirements

2 LR6 AA batteries, 1.5 V, alkaline

## Battery Life

up to 14 hours (alkaline)

## BLX4

### Output Impedance

<b>XLR connector</b>	200 $\Omega$
<b>6.35 mm (1/4") connector</b>	50 $\Omega$

### Audio Output Level

*Ref.  $\pm 33$  kHz deviation with 1 kHz tone*

<b>XLR connector</b>	-27 dBV (into 100 k $\Omega$ load)
<b>6.35 mm (1/4") connector</b>	-13 dBV (into 100 k $\Omega$ load)

### RF Sensitivity

-105 dBm

for 12 dB SINAD, typical

### Image Rejection

>50 dB, typical

## Dimensions

1.57 in. X 7.40 in. X 4.06in. (40 mm X 188 mm X 103 mm) H x W x D

## Weight

8.5 oz. (241 g)

## Housing

Molded ABS

## Power Requirements

12–15 V DC @ 235 mA (BLX88, 320 mA), supplied by external power supply (tip positive)

## BLX88

## Output Impedance

<b>XLR connector</b>	200 $\Omega$
<b>6.35 mm (1/4") connector</b>	50 $\Omega$

## Audio Output Level

*Ref.  $\pm 33$  kHz deviation with 1 kHz tone*

<b>XLR connector</b>	-27 dBV (into 100 k $\Omega$ load)
<b>6.35 mm (1/4") connector</b>	-13 dBV (into 100 k $\Omega$ load)

## RF Sensitivity

-105 dBm

for 12 dB SINAD, typical

## Image Rejection

>50 dB, typical

## Dimensions

1.50 in. X 12.13 in. X 3.98in. (38 mm X 308 mm X 101 mm) H x W x D

## Weight

15.1 oz. (429 g)

## Housing

Molded ABS

## Power Requirements

12–15 V DC @ 235 mA (BLX88, 320 mA), supplied by external power supply (tip positive)

## Certifications

Meets essential requirements of the following European Directives:

- WEEE Directive 2012/19/EU, as amended by 2008/34/EC
- RoHS Directive EU 2015/863

*Note: Please follow your regional recycling scheme for batteries and electronic waste*

This product meets the Essential Requirements of all relevant European directives and is eligible for CE marking.

Hereby, Shure Incorporated declares that the radio equipment is in compliance with Directive 2014/53/EU. The full text of the EU declaration of conformity is available at the following internet address: <http://www.shure.com/europe/compliance>

Authorized European representative:

Shure Europe GmbH

Headquarters Europe, Middle East & Africa

Department: EMEA Approval

Jakob-Dieffenbacher-Str. 12  
75031 Eppingen, Germany  
Phone: +49-7262-92 49 0  
Fax: +49-7262-92 49 11 4  
Email: EMEAsupport@shure.de

Certified under FCC Part 74.

- DD4BLX1A, DD4BLX1B, DD4BLX1C, DD4BLX1D; DD4BLX2A, DD4BLX2B, DD4BLX2C, DD4BLX2D, DD4BLX1W, DD4BLX1S, DD4BLX2W, DD4BLX2S, DD4BLX1H11, DD4BLX2H11, DD4BLX1J11, DD4BLX2J11

Certified by ISED in Canada under RSS-102 and RSS-210.

- 616A-BLX1A, 616A-BLX1B, 616A-BLX1C, 616A-BLX1D; 616A-BLX2A, 616A-BLX2B, 616A-BLX2C, 616A-BLX2D, 616A-BLX1H11, 616A-BLX2H11, 616A-BLX1J11, 616A-BLX2J11

Certified by ISED in Canada under RSS-123 and RSS-102.

- 616A-BLX1W, 616A-BLX1S, 616A-BLX2W, 616A-BLX2S

Approved under the Declaration of Conformity (DoC) provision of FCC Part 15.

---

## Important Product Information

### LICENSING INFORMATION

Licensing: A ministerial license to operate this equipment may be required in certain areas. Consult your national authority for possible requirements. Changes or modifications not expressly approved by Shure Incorporated could void your authority to operate the equipment. Licensing of Shure wireless microphone equipment is the user's responsibility, and licensability depends on the user's classification and application, and on the selected frequency. Shure strongly urges the user to contact the appropriate telecommunications authority concerning proper licensing, and before choosing and ordering frequencies.

### Information to the user

This device complies with part 15 of the FCC Rules. Operation is subject to the following two conditions:

1. This device may not cause harmful interference.
2. This device must accept any interference received, including interference that may cause undesired operation.

**Note:** This equipment has been tested and found to comply with the limits for a Class B digital device, pursuant to part 15 of the FCC Rules. These limits are designed to provide reasonable protection against harmful interference in a residential installation. This equipment generates uses and can radiate radio frequency energy and, if not installed and used in accordance with the instructions, may cause harmful interference to radio communications. However, there is no guarantee that interference will not occur in a particular installation. If this equipment does cause harmful interference to radio or television reception, which can be determined by turning the equipment off and on, the user is encouraged to try to correct the interference by one or more of the following measures:

- Reorient or relocate the receiving antenna.
- Increase the separation between the equipment and the receiver.
- Connect the equipment to an outlet on a circuit different from that to which the receiver is connected.
- Consult the dealer or an experienced radio/TV technician for help.

## Canada Warning for Wireless

This device operates on a no-protection, no-interference basis. Should the user seek to obtain protection from other radio services operating in the same TV bands, a radio licence is required. For further details, consult Innovation, Science and Economic Development Canada's document Client Procedures Circular CPC-2-1-28, Voluntary Licensing of Licence-Exempt Low-Power Radio Apparatus in the TV Bands.

Ce dispositif fonctionne selon un régime de non-brouillage et de non-protection. Si l'utilisateur devait chercher à obtenir une certaine protection contre d'autres services radio fonctionnant dans les mêmes bandes de télévision, une licence radio serait requise. Pour en savoir plus, veuillez consulter la Circulaire des procédures concernant les clients CPC.2.1.28, Délivrance de licences sur une base volontaire pour les appareils radio de faible puissance exempts de licence et exploités dans les bandes de télévision d'Innovation, Sciences et Développement économique Canada.

This device contains licence-exempt transmitter(s)/receiver(s) that comply with Innovation, Science and Economic Development Canada's licence-exempt RSS(s). Operation is subject to the following two conditions:

1. This device may not cause interference.
2. This device must accept any interference, including interference that may cause undesired operation of the device.

L'émetteur/récepteur exempt de licence contenu dans le présent appareil est conforme aux CNR d'Innovation, Sciences et Développement économique Canada applicables aux appareils radio exempts de licence. L'exploitation est autorisée aux deux conditions suivantes :

1. L'appareil ne doit pas produire de brouillage;
2. L'appareil doit accepter tout brouillage radioélectrique subi, même si le brouillage est susceptible d'en compromettre le fonctionnement.

**Industry Canada ICES-003 Compliance Label:** CAN ICES-3 (B)/NMB-3(B)

**Note:** EMC conformance testing is based on the use of supplied and recommended cable types. The use of other cable types may degrade EMC performance.

**Changes or modifications not expressly approved by the manufacturer could void the user's authority to operate the equipment.**

## Australia Warning for Wireless

This device operates under an ACMA class licence and must comply with all the conditions of that licence including operating frequencies. Before 31 December 2014, this device will comply if it is operated in the 520-820 MHz frequency band.

**WARNING:** After 31 December 2014, in order to comply, this device must not be operated in the 694-820 MHz band.

## Frequency Range and Transmitter Output Level

Band	Range	Output Power
G18	470 to 494 MHz	10 mW
H8	518 to 542 MHz	10 mW
H8E	518 to 542 MHz	10 mW
H9	512 to 542 MHz	10 mW
H10	542 to 572 MHz	10 mW
H10E	542 to 572 MHz	10 mW

Band	Range	Output Power
H11	572 to 596 MHz	10 mW
H62	518 to 530 MHz	10 mW
J10	584 to 608 MHz	10 mW
J11	596 to 616 MHz	10 mW
K3E	606 to 630 MHz	10 mW
K12	614 to 638 MHz	10 mW
K14	614 to 638 MHz	10 mW
L27	674 to 698 MHz	10 mW
M15	662 to 686 MHz	10 mW
M17	662 to 686 MHz	10 mW
M18	694 to 703 MHz	10 mW
M19	694 to 703	10 mW
Q12	748 to 758	10 mW
Q24	748 to 758 MHz	10 mW
Q25	742 to 766 MHz	10 mW
R12	794 to 806 MHz	10 mW
S8	823 to 832 MHz	10 mW
T11	863 to 865 MHz	10 mW

\*

**Note:** Frequency bands might not be available for sale or authorized for use in all countries or regions.

**NOTE:** This Radio equipment is intended for use in musical professional entertainment and similar applications. This Radio apparatus may be capable of operating on some frequencies not authorized in your region. Please contact your national authority to obtain information on authorized frequencies and RF power levels for wireless microphone products.

\* เครื่องโทรคมนาคมและอุปกรณ์นี้มีความสอดคล้องตามมาตรฐานหรือข้อกำหนดทางเทคนิคของ กสทช.