



StreamPro-S1

USB Microphone

User Manual

Introduction

The Luucco StreamPro-S1 is a studio condenser microphone that combines professional quality sound capture.

The cardioid polar pattern and 192KHz/24bit high-quality functions provide a high level of versatility, excelling for a wide variety of podcasting, streaming, gaming, ASMR, and recording applications.

A mic gain control and mute button is on the front of the mic for convenient operation, giving additional flexibility for in-the-moment audio control. The mic offers a 3.5mm headphone jack for monitoring.

The mic also offers a desk stand, or a 5/8 to 3/8" thread adapter ensures you can mount this mic on nearly any mic stand.

Box Contains:

- 1* StreamPro-S1 microphone
- 1* Type-c cable
- 1* Type-C to USB adapter
- 1* 5/8 to 3/8" adapter

WARNING

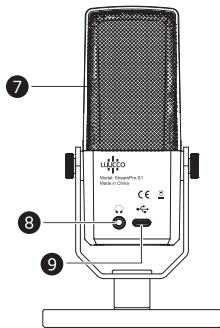
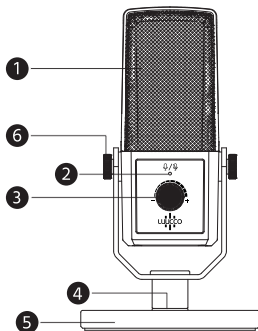
1. Read and understand the user manual completely before using the product.
2. DO NOT listen at a high volume for an extended period using monitor earphones.
Otherwise, you may experience possible hearing damage.
3. DO NOT allow the product to come into contact with any kind of liquid
4. DO NOT leave the product out in the rain or near a source of moisture.
5. DO NOT drop the product into water.

Product Structure

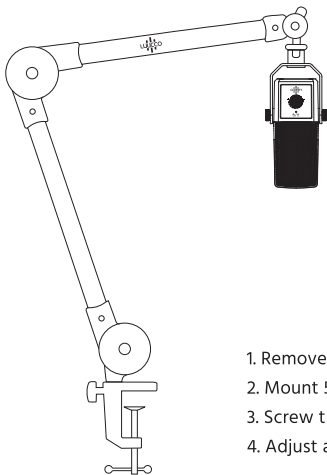
1. High-quality condenser capsule
2. Indicator LED

Status	Indicator
Normal	Blue
Mute	Red

3. Sound level control/Mute button
 - Press the Mute button, mute ON
 - Press the Mute button again, mute OFF
4. Thread attachment for mic stands and studio arms
5. Detachable desk stand
6. Thumb Screws
7. Built-in pop filter
8. Headphone output
9. Type-C connector



How to mount StreamPro-S1 to Boom Arm



1. Remove desk stand.
2. Mount 5/8 to 3/8" adapter if required.
3. Screw the microphone onto the thread of the Arm.
4. Adjust any angle you desire.

Specifications

Polar Pattern:	Cardioid
Element Type:	Condenser
Frequency Range :	40Hz-18000Hz
Sensitivity:	-45±3dB (1.5V , 680KΩ; 0dB=1V/Pa, 1KHz)
Maximum SPL :	125dB
S/N:	82dB
Sample Rate:	192KHz/24bit
Operating Voltage:	5V
Mounting:	Desktop Stand (Included)
	5/8 to 3/8" Adapter (Included)
Digital Output Connector:	USB-C Female
Headphone Output:	3.5 mm / 1/8"
Weight:	445g (Microphone, Stand)



www.luuccotech.com

Manufacturer: Luucco (Shenzhen) Technology Co., Ltd.

Factory Add.: No. 13/14, Building 9, Huake City Incubation Park, Daojiao Town,
Dongguan City, Guangdong, China

Email: sales@luuccotech.com

www.luuccotech.com