



# **Melo-S1**

Large-Diaphragm  
Condenser Microphone

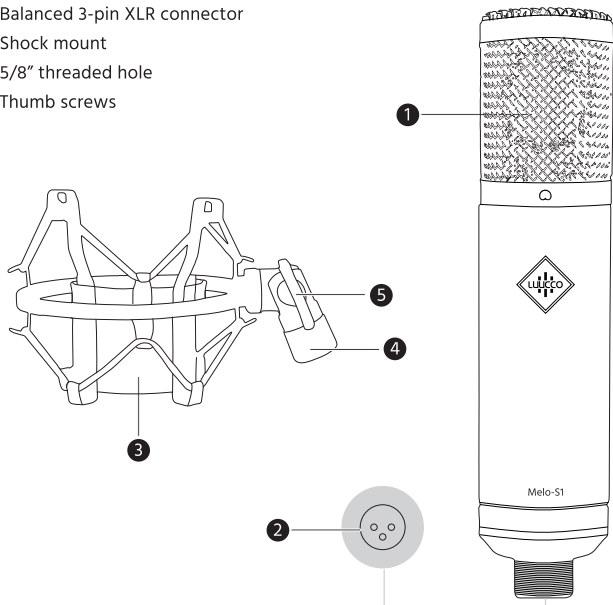
User Manual

## Box Contains:

- 1\* Melo-S1 microphone
- 1\* Shock mount
- 1\* 3/8" to 5/8" adapter
- 1\* XLR cable

## Product Structure

1. Large 34mm (1.3") gold-sputtered diaphragm
2. Balanced 3-pin XLR connector
3. Shock mount
4. 5/8" threaded hole
5. Thumb screws



## Specifications

Acoustic Principle:	Condenser
Diaphragm:	34mm(1.3")
Polar Pattern:	Cardioid
Frequency Response:	20-20,000 Hz
Sensitivity:	-34dB±2dB (0dB=1/uBar at 1kHz)
Maximum SPL:	130 dB SPL
Signal-to-Noise Ratio:	>82dB
Output Impedance:	200 Ohm
Audio Output Connector:	3-pin XLR Connector
Phantom Power:	24V or 48V
Cable Length:	2m(6.6ft)
Weight:	626g (22 oz)
Microphone Dimensions:	ø: 5 x L: 18.6 cm / ø: 2 x L: 7.3"

## WARNING

1. Read and understand the user manual completely before using the product.
2. DO NOT listen at a high volume for an extended period using monitor earphones.  
Otherwise, you may experience possible hearing damage.
3. DO NOT allow the product to come into contact with any kind of liquid
4. DO NOT leave the product out in the rain or near a source of moisture.
5. DO NOT drop the product into water.



[www.luuccotech.com](http://www.luuccotech.com)

**Manufacturer:** Luucco (Shenzhen) Technology Co., Ltd.

**Factory Add.:** No. 13/14, Building 9, Huake City Incubation Park,  
Daojiao Town, Dongguan City, Guangdong, China

**Email:** [sales@luuccotech.com](mailto:sales@luuccotech.com)

[www.luuccotech.com](http://www.luuccotech.com)